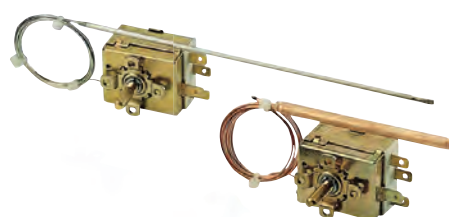


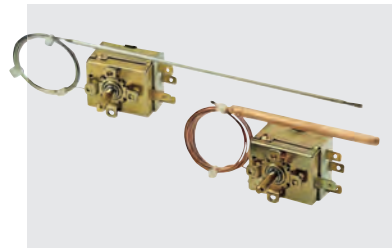
IM-TR2/540

control thermostats



altecnic

IM-TR2/540 control thermostats



Application

Altecnic control thermostats are designed for panel or bracket mounting in a central boiler plant room in a commercial or public building.

They are intended to measure and help control the temperature in calorifiers, hot water cylinders and other similar appliances by measuring the surface temperature or on adjacent pipework.

When the switching temperature has been reached the thermostat breaks the electrical circuit causing a motorised control valve to close and isolate the primary hot water supply to the appliance.

When the temperature in the vessel falls below the set temperature less the temperature differential ΔT the thermostat switches, closes the electrical circuit and the motorised control valve opens.

The thermostats require four M4 x 6 long screws to mount the thermostat and control knob bezel to the panel or bracket - not supplied.

A range of control knobs are available to match the operating range of thermostats but are not included as part of the thermostat and must be ordered separately.

Technical Specification

Electricity supply: 13A 230V AC

Switching point with thermostat at temperature: 20°C

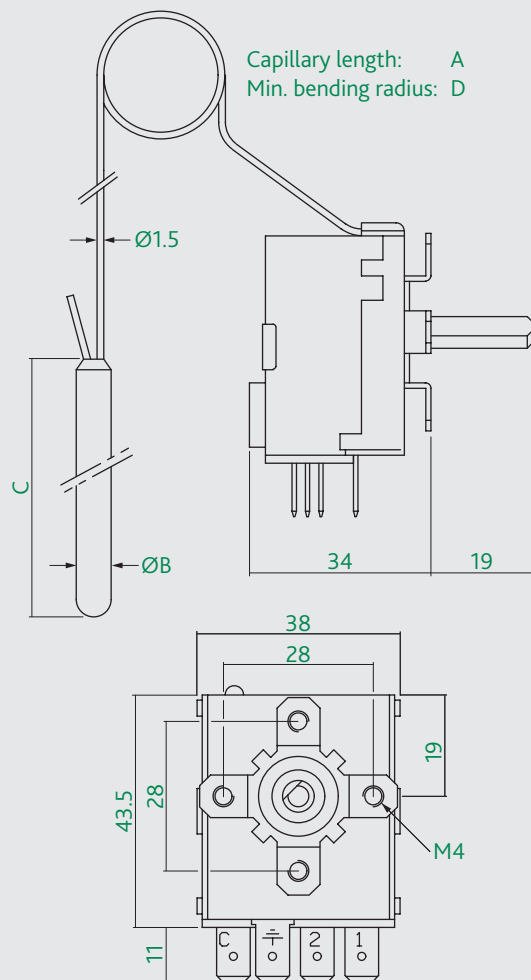
CE Marked:

Sensing element: liquid filled

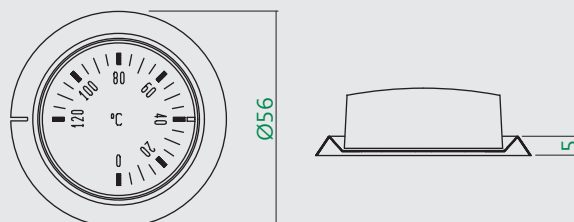
Capillary and sensing element material: copper

Product Code	Temp Range °C	ΔT °C	Max Body °C	Max Bulb °C
IM-TR2/540043	-35 to 35 \pm 2	1.5 \pm 1	80	65
IM-TR2/540030	0 to 40 \pm 2	3 \pm 1	80	70
IM-TR2/540010	0 to 90 \pm 3	4 \pm 1	85	150
IM-TR2/540310	0 to 90 \pm 3	4 \pm 1	85	150
IM-TR2/540160	0 to 120 \pm 3	4 \pm 1	80	150
IM-TR2/540140	40 to 210 \pm 6	9 \pm 2	85	260
IM-TR2/540020	50 to 300 \pm 8	10 \pm 2	85	330

Dimensions



Product Code	A	B	C	D
IM-TR2/540043	1m	6	214	5
IM-TR2/540030	1m	9.5	92	5
IM-TR2/540010	1m	6.5	95	5
IM-TR2/540310	2m	6.5	95	5
IM-TR2/540160	1m	6.5	95	5
IM-TR2/540140	1m	5	125	5
IM-TR2/540020	1m	3.5	195	5



E & O.E

Altecnic Ltd Mustang Drive, Stafford, Staffordshire ST16 1GW

T: +44 (0)1785 218200 E: sales@altecnic.co.uk

Registered in England No: 2095101

altecnic.co.uk

AL 146 12-09-13